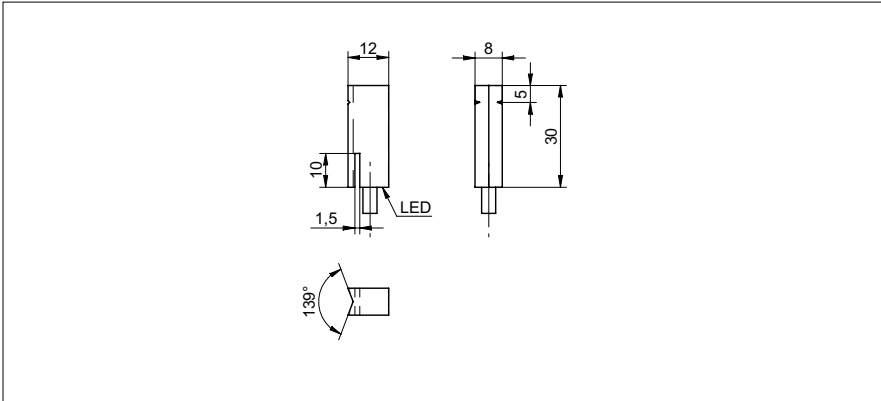


# Magnetic proximity switches

## MFVM 08P1424/PL

### dimension drawing



### general data

type	magneto-resistive
version	full metal
assured sensing distance Sa	60 mm
output indicator	LED red
mounting type	flush
nominal operation point	2,5 mT
hysteresis	2 ... 20 % of Sr
repeat accuracy	< 1 % of Sr

### electrical data

switching frequency	< 5 kHz
voltage supply range +Vs	10 ... 30 VDC
current consumption max. (no load)	20 mA
voltage drop Vd	< 3 VDC
output current	< 150 mA
output circuit	PNP make function (NO)
short circuit protection	yes
reverse polarity protection	yes, Vs to GND

### mechanical data

type	rectangular
dimension	8 mm
housing material	aluminum
housing length	30 mm
connection types	cable PUR, 2 m

### ambient conditions

operating temperature	-25 ... +75 °C
protection class	IP 67

### photo



### connection diagram



- Assured sensing distance in conjunction with permanent magnet 11053959 (available as an accessory)